

70 Series



Center Stud Panel Mount
Time Switch



Through Panel Mount
Time Switch

PANEL MOUNT TIME SWITCH

The MARKTIME® 70 Series Panel Mount Time Switch is a heavy duty 20 amp time switch available in either SPST, SPDT or DPST switch configuration, in a variety of panel mountings. Specifically designed for handling high current loads, the 70 Series provides the highest amperage rating of any mechanical panel mount time switch and is easy to install. Our customer service staff stands ready to work with you to meet any time control requirement.

APPLICATIONS

The MARKTIME® 70 Series Panel Mount Time Switch is engineered specifically for demanding applications that require high amperage while remaining easy to install and operate. Typical applications include pool, spa, and sauna control in the home and industry, track lighting, control of fluorescent and incandescent lighting, heating and heavy duty blower control, industrial and commercial cooking equipment, medical equipment and process control equipment, as well as any application that requires switching high amperage loads.

FEATURES

- Broadest available time ranges - from seconds to 12 hours, all with + 10% accuracy based on maximum time
- Compact, easy to install and wire
- Simple “user friendly” operation via rotary knob
- Three switching configurations - SPST, SPDT and DPST
- Bell signal is available with all switch configurations
- Thru-panel mounting version comes complete, ready for quick installation with dial, knob, bracket and screws
- UL listed and CSA certified
- One year limited warranty

BENEFITS

- Easy to Use with no special training required
- Reliable, proven design used on thousands of timers
- High current ratings in a wall box configuration
- Versatile mounting capabilities

SWITCH CONFIGURATIONS AND RATINGS

STANDARD FEATURES												
	71000	71400	71700	72000	72400	72700	74000	74400	74700	76000	76400	76700
Time Switch	•	•	•	•	•	•	•	•	•	•	•	•
Bell Signal Time Switch		•			•			•			•	
Center Stud Mounting	•	•		•	•		•	•		•	•	
Two Screw Mounting	•			•			•			•		
Thru Panel Mounting (Bakelite Cover)			•			•			•			•
OPTIONAL FEATURES												
Adjustable Stop			•			•			•			•
Bell Hammer Return Spring		•			•			•			•	
Splash Proofing	•	•	•	•	•	•	•	•	•	•	•	•
Two Screw Mounting		•			•			•			•	
Pig Tails	•	•	•									
Push Button Lock Release			•						•			
Hold Feature	•	•	•	•	•	•	•	•	•	•	•	•
High Heat Construction	•	•	•	•	•	•	•	•	•	•	•	•
28 Amp. Construction	•	•	•	•	•	•	•	•	•	•	•	•

Adjustable Stop Permits repeated operations when the time cycle remains the same. "Stop" is set at desired time-interval and automatically stops the knob at the pre-determined setting.

Bell Hammer Return Spring Spring returns the bell hammer to its original position after striking the bell. (Used when bell switch is mounted in a horizontal plane.)

Splash-Proof Construction Bakelite case is sealed to prevent moisture from coming into contact with timing movement. Recommended where switch will be used in a damp environment.

Push-Button Lock Release After knob has been set to desired time, the "push-button" initiates the time cycle and closes equipment operating circuit. For use on photo copier, enlarger, etc.

Hold Feature Holds current ON without operation of the timing mechanism; timing does not begin until the knob is turned from "Hold" to a time period. This feature has many important applications.



RATINGS	
20 amp	120-240 VAC
1 hp	120-240 VAC
(28 amp also available)	

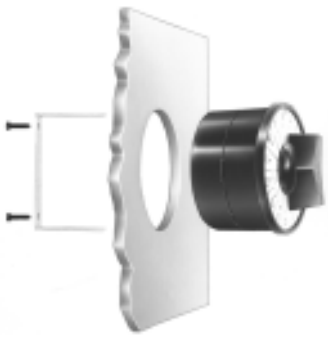
MOUNTING CONFIGURATIONS



Center Stud Mounting

Time Switch Establishes automatic control by breaking or making an electrical circuit.

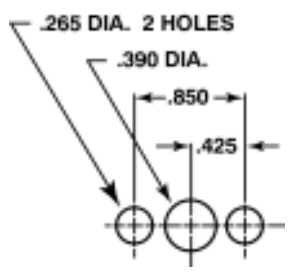
Bell Switch Establishes automatic control by breaking or making an electrical circuit and simultaneously sounding a full-tone bell signal. Center stud or two screw mounting. Variety of dials and knobs available. Dimensions: Dia. 2 9/16"; Depth 1 7/8".



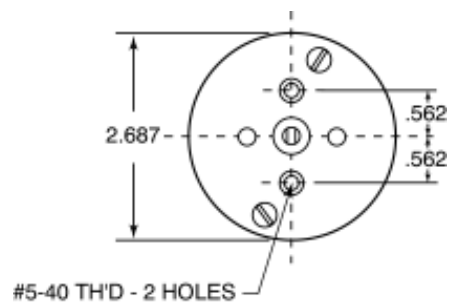
Through Panel Mounting

Time Switch Thru-panel mounted time switch with Bakelite cover is easy to mount by inserting timer into panel opening from the front. Comes complete with satin chrome face dial and black knob. Push-button lock release available on 71700 series. Dimensions: Dia. 2 9/16"; Depth 1 41/64". Mounting hole required: 2 3/4".

Timing ranges from 1 min. to 12 hrs.



Center Stud Mounting



Two Screw Mounting