

88 Series



7 DAY PROGRAMMABLE TIMERS

The MARKTIME® 88 Series 7 Day Programmable Timers are very useful in situations where a programmed sequence of operation is desired. These timers are used in applications in the home or business environment as a single point control for table lamps, torchaire lamps, coffee makers, fans and other appliances requiring a supply current of 16 Amps or less at 120 VAC.

APPLICATIONS

- Table and floor lamps
- Fans
- Small appliances
- Coffee makers
- Fish tanks
- Holiday decorations
- Copiers and fax machines

FEATURES

- 7 day programmable
- Random on/off time option
- Weekday, weekend, work week and 5 other unique day programs
- Battery backup (pre-installed), program is maintained during power outage
- Switches 16 Amps @ 120 VAC
- Plugs into standard, grounded wall outlet
- ON-OFF-AUTO override settings
- Available in white only
- Packaged in individual blister packs for point of purchase displays

ORDERING PART NO.	DESCRIPTION
88020	FRONT VIEW DISPLAY

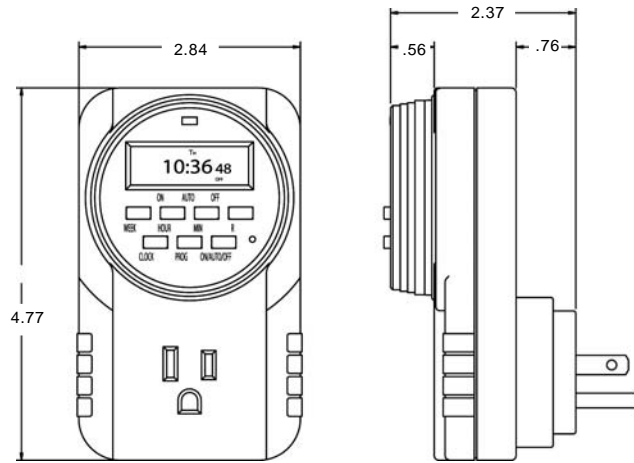
Refer to line drawings on back cover for dimensions.



M.H. Rhodes
 105 Nutmeg Road South
 South Windsor, CT 06074

Tel: (860) 291-8402
 Fax: (860) 610-0897
www.mhrhodes.com

DIMENSIONS



88020

PROGRAMMING NOTE: PRIOR TO PROGRAMMING TIMER, CHARGE INTERNAL BATTERY FOR A MINIMUM OF 2 HOURS BY PLUGGING UNIT INTO WALL SOCKET.



MARKTime®

Brand of Energy Saving Products

Complete line of wall box timers, fan/light switches, solid state timers, professional bell and time switches, and programmable digital timers.

