

# 638 Series Electromechanical Sealed Quartz DC Hour Meters

- ☞ 10-80 VDC Operating voltage
- ☞ Quartz accuracy
- ☞ Tamper resistant
- ☞ Sealed, waterproof
- ☞ 6 Figure display: 99999.9
- ☞ Round or rectangle bezel mounting
- ☞ UL/cUL, CE & RoHS Compliant



Rectangle Bezel  
Model #638-04



Round Bezel  
Model #638-01

## Applications:



Farm Equipment



Construction Equipment



Material Handling



Utility Vehicles

# 638 Series Electromechanical Sealed Quartz DC Hour Meters

## Description

M.H. Rhodes/Cramer Company offers the most accurate and long-term time keeping sealed Quartz DC Hour Meters available. This DC quartz Hour Meter has an operating range of 10-80 VDC. Models are available in the standard industry 2 screw or clip rectangular and 3 screw round mounting options. The 100% sealed case protects against tampering and environmental elements, providing years of reliable service. All models are NEMA 4X, 12 rated when mounted with optional gasket.

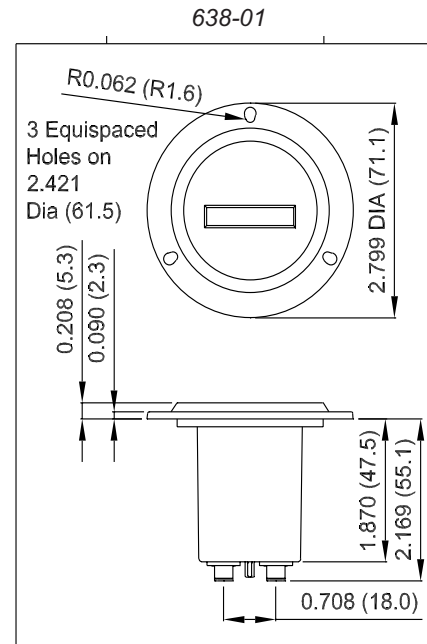
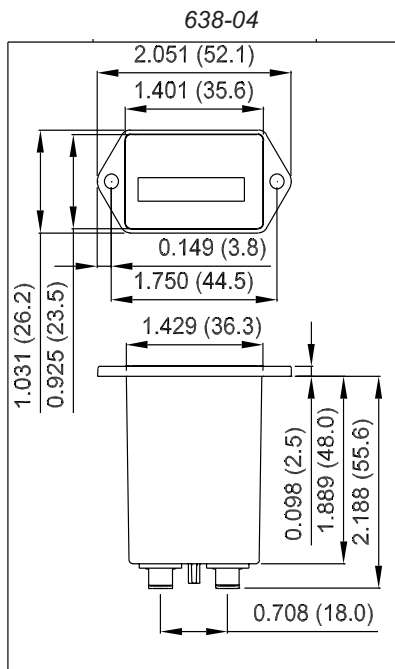
## Dimensions



Model #638-04



Model #638-01



## Specifications

Model	638-04	638-01
Display	6 Figure; 99999.9	
Reset	Non-reset	
Accuracy	± 0.02% over entire range	
Power Input	1 watt max	
Voltage	10-80 VDC	
Operating Temperature Range	-40°F to 185°F (-40°C to 85°C)	
Terminals	1/4" (6.3 mm) spade terminals	
Vibration	10-80 Hz, 20g max. (SAE J1378)	
Shock	55g @ 9-13 msec (SAE J1378)	
Standard Mounting	2 hole or clip	3 hole
Agency Approval	UL, CE and RoHS Compliant	

## Options

- ☞ Wire leads
- ☞ Gasket kit (for NEMA 4X, 12 rating)
- ☞ Custom lens
- ☞ Terminal placement: up, down, straight

[www.mhrhodes-cramer.com](http://www.mhrhodes-cramer.com)



M.H. Rhodes/Cramer Company  
 105 Nutmeg Road South • South Windsor, CT 06074 USA  
 Toll Free: 877.684.6464 • PH: 860.291.8402 • FX: 860.620.0897